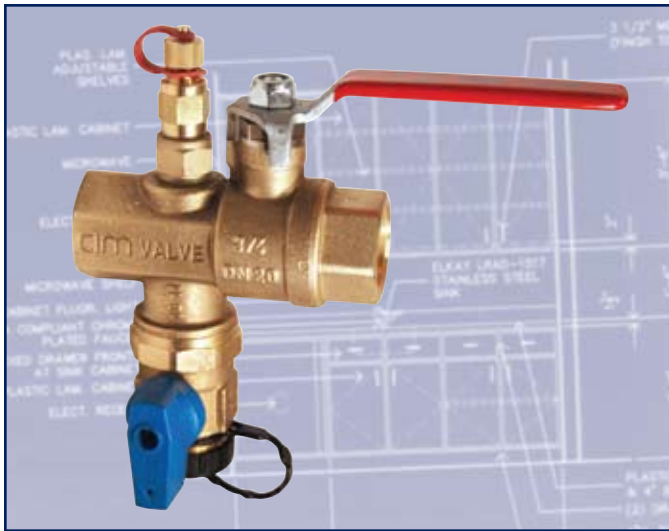


# Full Port Ball Valve w/Integral Strainer, Drain Valve, & Test Port

# cim 630B.1

FIPT x FIPT



### Applications:

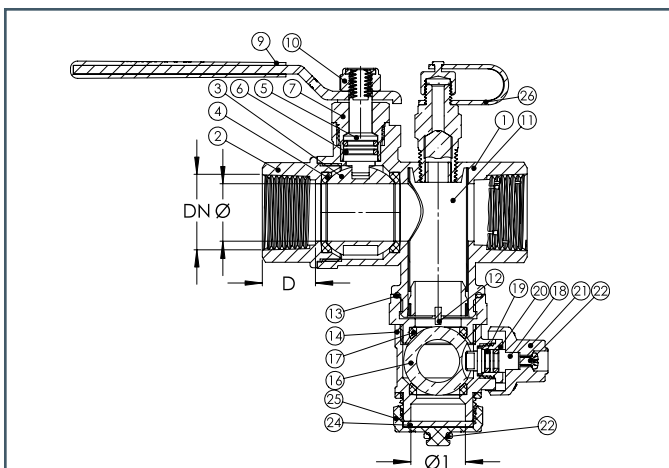
The CIM 630B.1 ball valve is manufactured in accordance with EN ISO 9001 and is designed for use with Cimberio's fan coil hook-up kits.

### Features:

The CIM 630B.1 ball valve, which is built from the Cimberio CIM 11 building block, is a full port ball valve built with a heavy pattern body that offers increased thread depth and includes a unique blast proof/impact proof 3 part stem design that allows handle option flexibility. The CIM 630B.1 ball valve also features an integral strainer designed to collect impurities such as sand, rust, and metal shavings to safeguard pipes and valves from mechanical damage and deposits. The CIM 630B.1 ball valve also features a drain ball valve with garden hose thread connection and protective plastic cap. The CIM 630B.1 compact design incorporates three distinct functions in one unit, saving space, time and money and making this valve particularly well suited for OEM applications. The CIM 630B.1 also includes an integral P/T test port for system testing.

### Threading:

NPT threads ANSI B1.20.1.



- |   |                                      |
|---|--------------------------------------|
| <b>1 Body:</b> Brass ASTM C37700              | <b>14 Body:</b> Brass ASTM C37700    |
| <b>2 Adapter:</b> Brass ASTM C37700           | <b>15 Adapter:</b> Brass ASTM C37700 |
| <b>3 Ball:</b> Chrome Plated Brass            | <b>16 Ball:</b> Chrome Plated Brass  |
| <b>4 Ball Seats:</b> PTFE                     | <b>17 Ball Seats:</b> PTFE           |
| <b>5 Stem:</b> Nickel Plated Brass            | <b>18 Stem:</b> Brass                |
| <b>6 Stem O-Rings:</b> FPM.                   | <b>19 Stem O-Rings:</b> FPM          |
| <b>7 Cap:</b> Nickel Plated Brass             | <b>20 Cap:</b> Brass                 |
| <b>8 Handle:</b> DD11 Steel                   | <b>21 Handle:</b> Nylon              |
| <b>9 Handle:</b> DD11 Steel                   | <b>22 Screw:</b> AISI 304 Steel      |
| <b>10 Self-Locking Nut:</b> Zinc Plated Steel | <b>23 Plastic Lace:</b> MP90         |
| <b>11 Strainer:</b> Stainless Steel           | <b>24 Gasket:</b> SBR 70             |
| <b>12 Ring Nut:</b> PPS                       | <b>25 Plug:</b> Nylon                |
| <b>13 O-Ring:</b> HNBR                        | <b>26 Test Port:</b> Brass           |

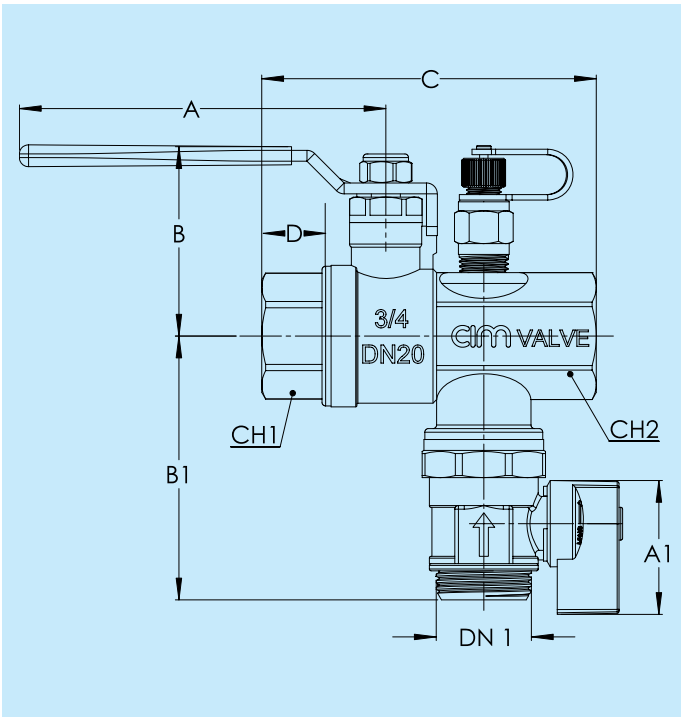
All Cimberio valves qualify for the American Recovery and Reinvestment Act and the Buy American Act.

Size	Fast Order No.
1/2"	630B-04
3/4"	630B-06
1"	630B-07

# Full Port Ball Valve w/Integral Strainer, Drain Valve, & Test Port

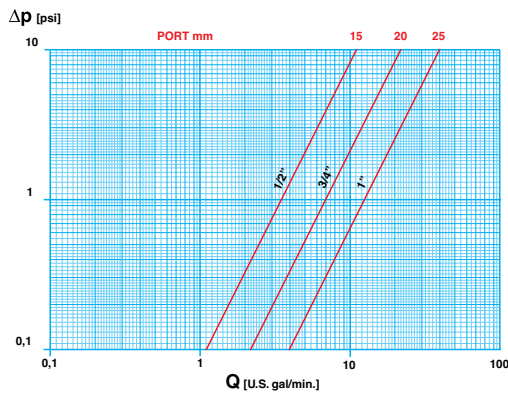
# cim 630B.1

FIPT x FIPT



Size Port inch Port mm	1/2" 0.59" 15mm	3/4" 0.79" 20mm	1" 0.98" 25mm
A	3-1/8" 80mm	3-15/16" 100mm	3-15/16" 100mm
B	1-13/16" 46mm	2-1/16" 53mm	2-1/4" 57mm
B1	2-11/16" 69mm	2-7/8" 72.5mm	3-1/4" 82mm
C	3-3/16" 81mm	3-5/8" 92mm	4-7/16" 112mm
D	11/16" 17mm	3/4" 19mm	13/16" 21mm
CH1	1" 25mm	1-1/4" 31mm	1-1/2" 38mm
CH2	1" 25mm	1-3/16" 30mm	1-7/16" 37mm
DN1	3/4" 20mm	3/4" 20mm	3/4" 20mm
A1	1-7/16" 37mm	1-7/16" 37mm	1-7/16" 37mm
Pounds Grams	1.143 518	1.525 692	2.207 1001

## FLOW AND PRESSURE DROP



## CV CM CS MT

**CV:** Capacity in "U.S. gal/min" at pressure drop of "1 PSI"

**CM:** Working Torque in "lb x in"

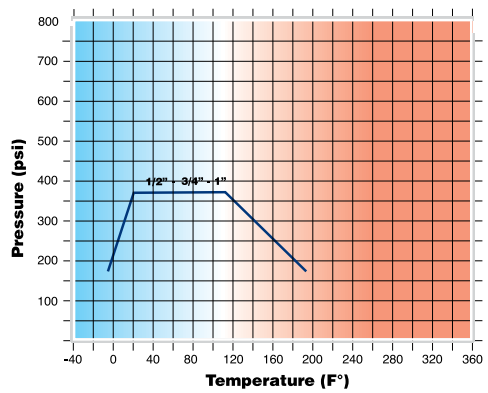
**CS:** Starting Torque in "lb x in"

**MT:** Torque Breaking Point on the Stem in "lb x in"

**Element:** Water - Temperature: 59.9° F

630B.1	SIZE	1/2"	3/4"	1"
CV	gal/min	3.8	6.6	12.9
CM	N x m	3	5	6
	lb x in	27	44	53
CS	N x m	6	10	12
	lb x in	53	89	106
MT	N x m	10	24	24
	lb x in	89	213	213

## PRESSURE/TEMPERATURE RATINGS



**Maximum Working Pressure:** 200 PSI at 180° F

**Max. Operating Temperature:** 195° F at 180 PSI

**Test Pressures:** According to ISO 5208