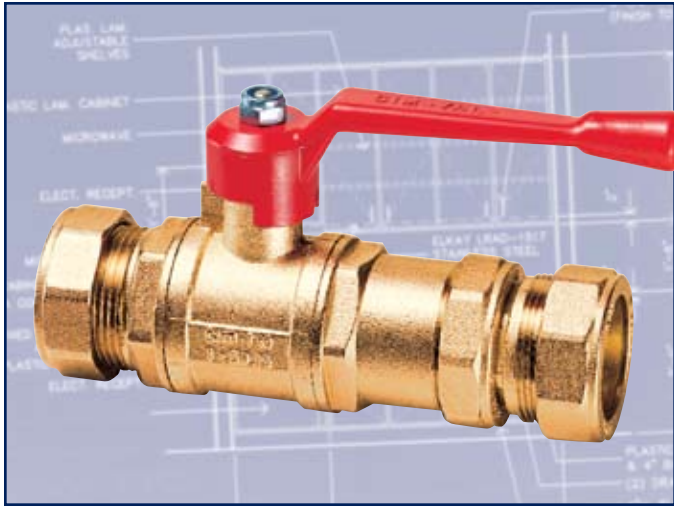


cimJOINT Ball Valve with Telescopic Expansion Union

cim 563.1

Copper Compression x Copper Compression



Applications:

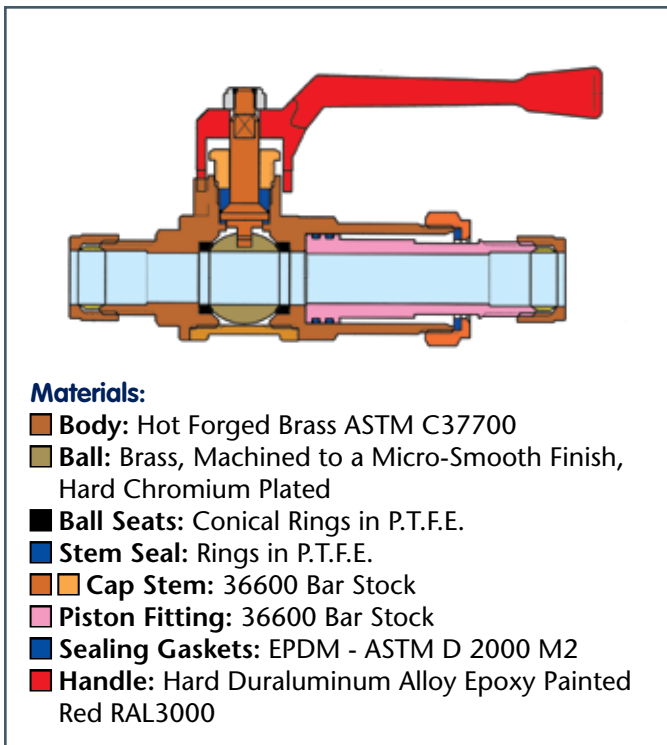
The CIM 563.1 ball valve with telescopic expansion union is manufactured in accordance with EN ISO 9001 and is designed to solve expansion and contraction problems normally found in hydraulic, heating, sanitary, pneumatic and similar pipe systems.

Features:

Additional applications include watermeter or pump installations where the extension capabilities of the union incorporated into the valve eliminate the need for extra fittings or nipples to make connections. CimJOINT ball valves can also be used for the easy replacement or addition of a valve into an existing pipe system.

Threading:

Copper Compression x Copper Compression. ASTM B88 Copper Connection

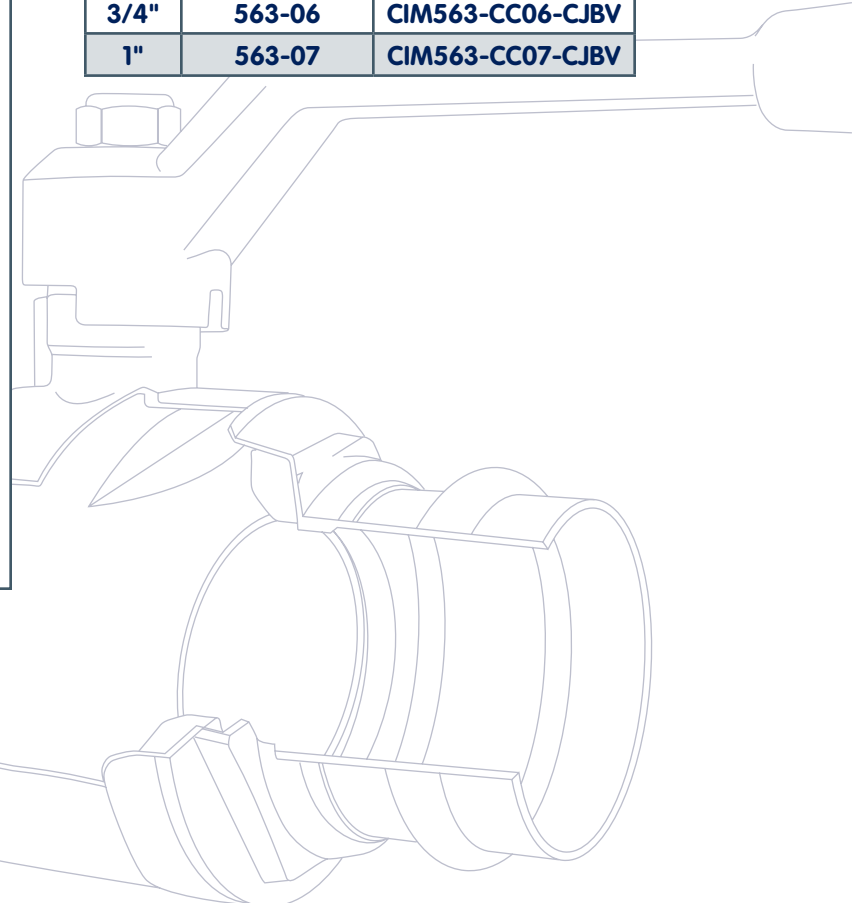


Materials:

- **Body:** Hot Forged Brass ASTM C37700
- **Ball:** Brass, Machined to a Micro-Smooth Finish, Hard Chromium Plated
- **Ball Seats:** Conical Rings in P.T.F.E.
- **Stem Seal:** Rings in P.T.F.E.
- **Cap Stem:** 36600 Bar Stock
- **Piston Fitting:** 36600 Bar Stock
- **Sealing Gaskets:** EPDM - ASTM D 2000 M2
- **Handle:** Hard Duraluminum Alloy Epoxy Painted Red RAL3000

All Cimberio valves qualify for the American Recovery and Reinvestment Act and the Buy American Act.

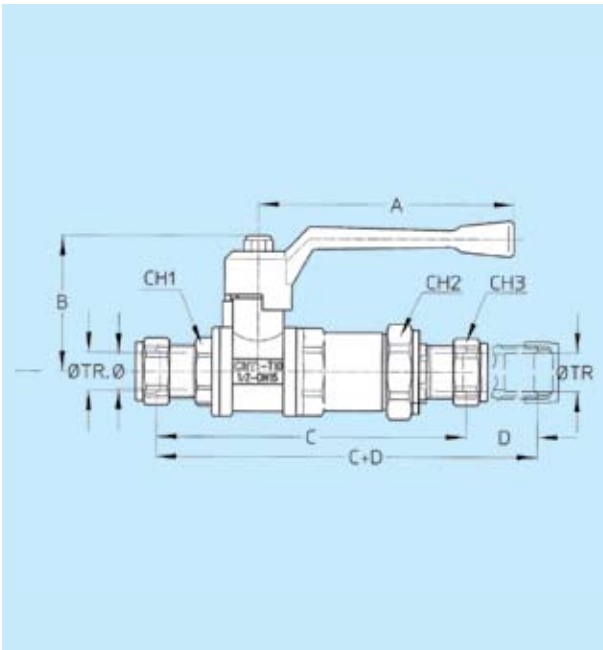
Size	Fast Order No.	Technical ID No.
1/2"	563-04	CIM563-CC04-CJBV
3/4"	563-06	CIM563-CC06-CJBV
1"	563-07	CIM563-CC07-CJBV



cimJOINT Ball Valve with Telescopic Expansion Union

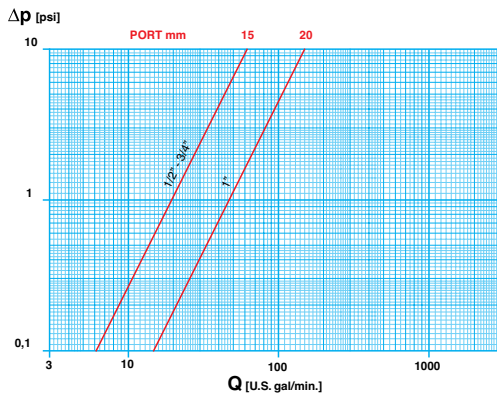
cim 563.1

Copper Compression x Copper Compression

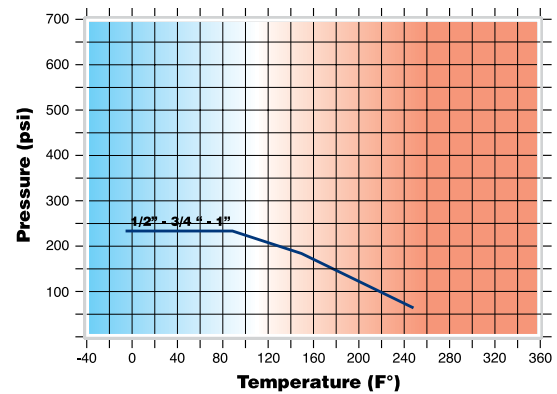


Size Port inch Port mm	1/2" 0.59" 15mm	3/4" 0.59" 15mm	1" 0.79" 20mm
A	3-15/16" 100mm	3-15/16" 100mm	4-3/4" 120mm
B	2-1/16" 53mm	2-1/16" 53mm	2-9/16" 65mm
C	4-3/4" 121mm	4-11/16" 119mm	5-1/8" 130mm
D	1-1/4" 32mm	1-9/16" 40mm	1-5/16" 33mm
C + D	6" 153mm	6-1/4" 159mm	6-7/16" 163mm
CH1	1-1/16" 27mm	1-1/4" 31mm	1-7/16" 36mm
CH2	1-3/8" 34mm	1-3/8" 34mm	1-9/16" 39mm
CH3	15/16" 24mm	1-1/4" 32mm	1-9/16" 39mm
Pounds Grams	1.27 575	1.42 645	2.14 970

FLOW AND PRESSURE DROP



PRESSURE/TEMPERATURE RATINGS



CV CM CS MT

CV: Capacity in "U.S. gal/min" at pressure drop of "1 PSI"

CM: Working Torque in "lb x in"

CS: Starting Torque in "lb x in"

MT: Torque Breaking Point on the Stem in "lb x in"

Element: Water - Temperature: 59.9° F

563.1	SIZE	1/2"	3/4"	1"
	Ø mm	15	20	20
	Ø inch	0.59	0.79	0.79
CV	gal/min	19.7	47.4	47.4
CM	N x m	3	3	5
	lb x in	27	27	44
CS	N x m	6	6	10
	lb x in	53	53	89
MT	N x m	10	10	24
	lb x in	89	89	213

Working Pressure: 1/2" – 1" : 232 PSI

Max. Operating Temperature: Working Limit for Fluids -4° F – 248° F

Test Pressures: According to ISO 5208

Vacuum: the CIM 563.1 Ball Valves can be used for Vacuum: 2×10^{-5} PSI