

Standard Metal Stem Extension

cim51#.1



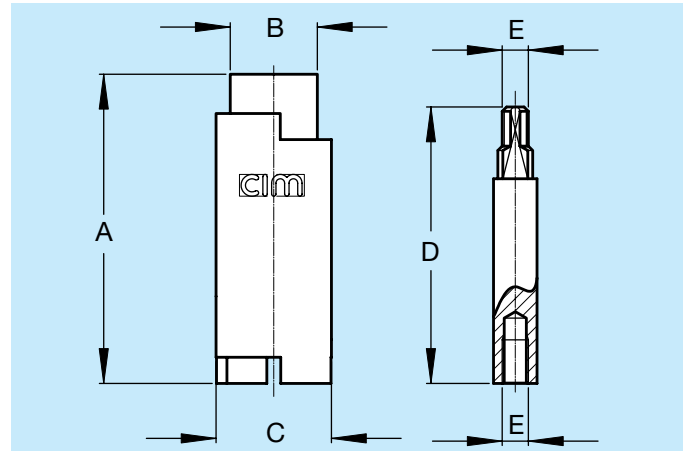
Applications:

The CIM 51#.1 stem extension works on all CIM 12 based heavy pattern ball valves including all CimPRESS ball valves (except for 1220.1). The CIM 51#.1 stem extension fits directly on the valve stem and is used to accommodate insulation or relocate the handle position.

Size	Cim Order No.
1/2" - 1"	510-040607
1-1/4"	511-08
1-1/2" - 2"	512-0910
2-1/2" - 3"	513-1112
4"	514-14



All Cimberio valves qualify for the American Recovery and Reinvestment Act and the Buy American Act.



Size	1/2" - 1"	1-1/4"	1-1/2" - 2"	2-1/2" - 3"	4"
A	2-13/16" 71mm	2-15/16" 74mm	2-15/16" 75mm	2-15/16" 75mm	3-1/8" 80mm
B	3/4" 19.5mm	15/16" 23.5mm	1-1/8" 29mm	1-15/16" 49.5mm	2-11/16" 68.5mm
C	1-1/16" 26.5mm	1-1/4" 31mm	1-7/16" 36mm	2" 51mm	2-11/16" 68.5mm
D	2-1/2" 63.5mm	2-5/8" 67mm	2-3/4" 69mm	2-15/16" 74mm	2-13/16" 72mm
E	1/4" 6mm	5/16" 8mm	3/8" 10mm	3/8" 10mm	1/2" 12mm