

cimJOINT Telescopic Expansion Union

cim 240.1

Iron Compression x Iron Compression



Applications:

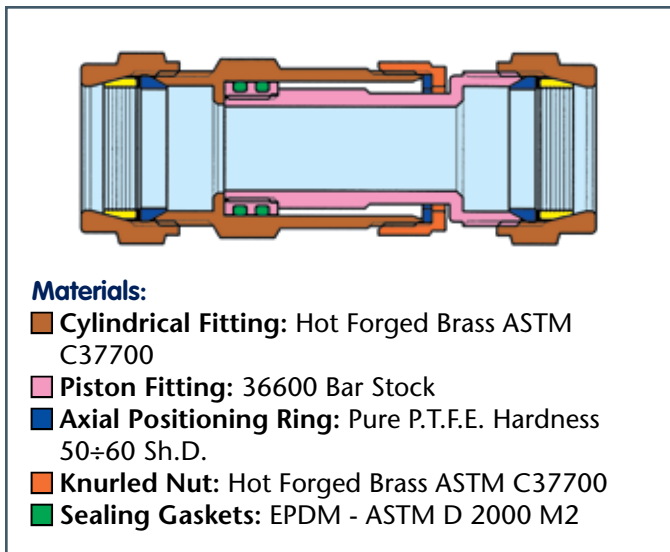
The CIM 240.1 telescopic expansion union is manufactured in accordance with EN ISO 9001 and is designed to solve the expansion, contraction, and thermal stress problems normally found in hydraulic, heating, sanitary, pneumatic and similar pipe systems.

Features:

Additional applications include watermeter or pump installations where the extension capabilities of the union eliminate the need for extra fittings or nipples to make connections. CimJOINT unions can also be used for the easy repair of damaged pipe.

Threading:

Iron Compression x Iron Compression

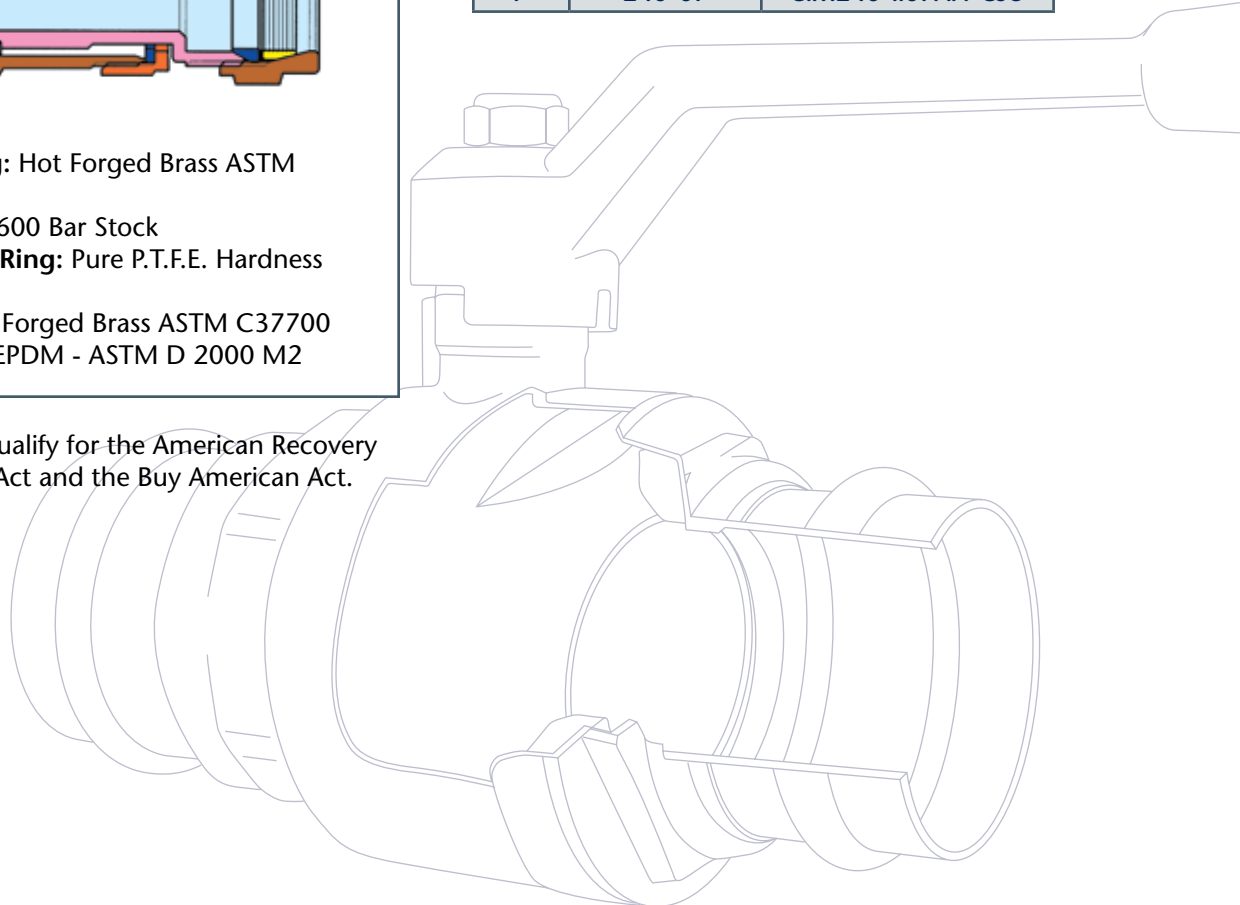


Materials:

- Cylindrical Fitting:** Hot Forged Brass ASTM C37700
- Piston Fitting:** 36600 Bar Stock
- Axial Positioning Ring:** Pure P.T.F.E. Hardness 50÷60 Sh.D.
- Knurled Nut:** Hot Forged Brass ASTM C37700
- Sealing Gaskets:** EPDM - ASTM D 2000 M2

Size	Fast Order No.	Technical ID No.
1/2"	240-04	CIM240-II04AH-CJU
3/4"	240-06	CIM240-II06AH-CJU
1"	240-07	CIM240-II07AH-CJU

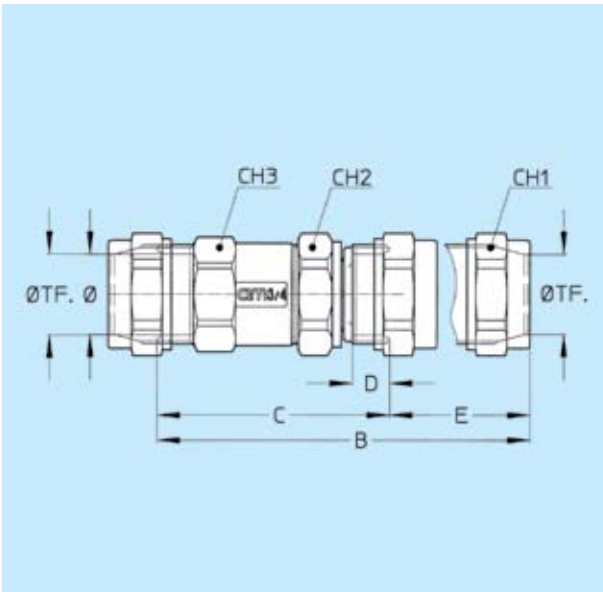
All Cimberio valves qualify for the American Recovery and Reinvestment Act and the Buy American Act.



cimJOINT Telescopic Expansion Union

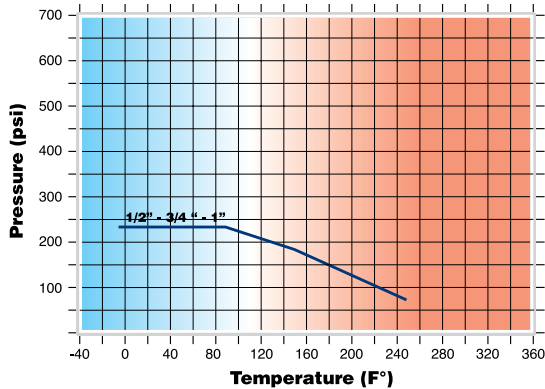
cim 240.1

Iron Compression x Iron Compression



Size	1/2"	3/4"	1"
Port inch	0.55"	0.75"	0.98"
Port mm	14mm	19mm	25mm
B	4-5-16" 109.5mm	4-1/2" 114.5mm	4-15/16" 125.5mm
C	3-1/16" 78mm	3-1/4" 82mm	3-3/8" 86mm
E	1-1/4" 31.5mm	1-1/4" 32.5mm	1-3/8" 34.5mm
D	1/2" 13mm	1/2" 13mm	9/16" 14mm
CH1	1-1/4" 32mm	1-9/16" 39mm	1-7/8" 47mm
CH2	1-1/4" 31mm	1-7/16" 36mm	1-11/16" 43mm
CH3	1-3/8" 34mm	1-9/16" 39mm	1-7/8" 47mm
Pounds	0.87	1.15	1.58
Grams	395	520	715

PRESSURE/TEMPERATURE RATINGS



Working Pressure: 1/2" – 1" : 232 PSI

Max. Operating Temperature: Working Limit for Fluids -4° F – 248° F

Test Pressures: According to ISO 5208